


Owner:



Title:  
Floor Pocket

Description:  
Floor Pocket

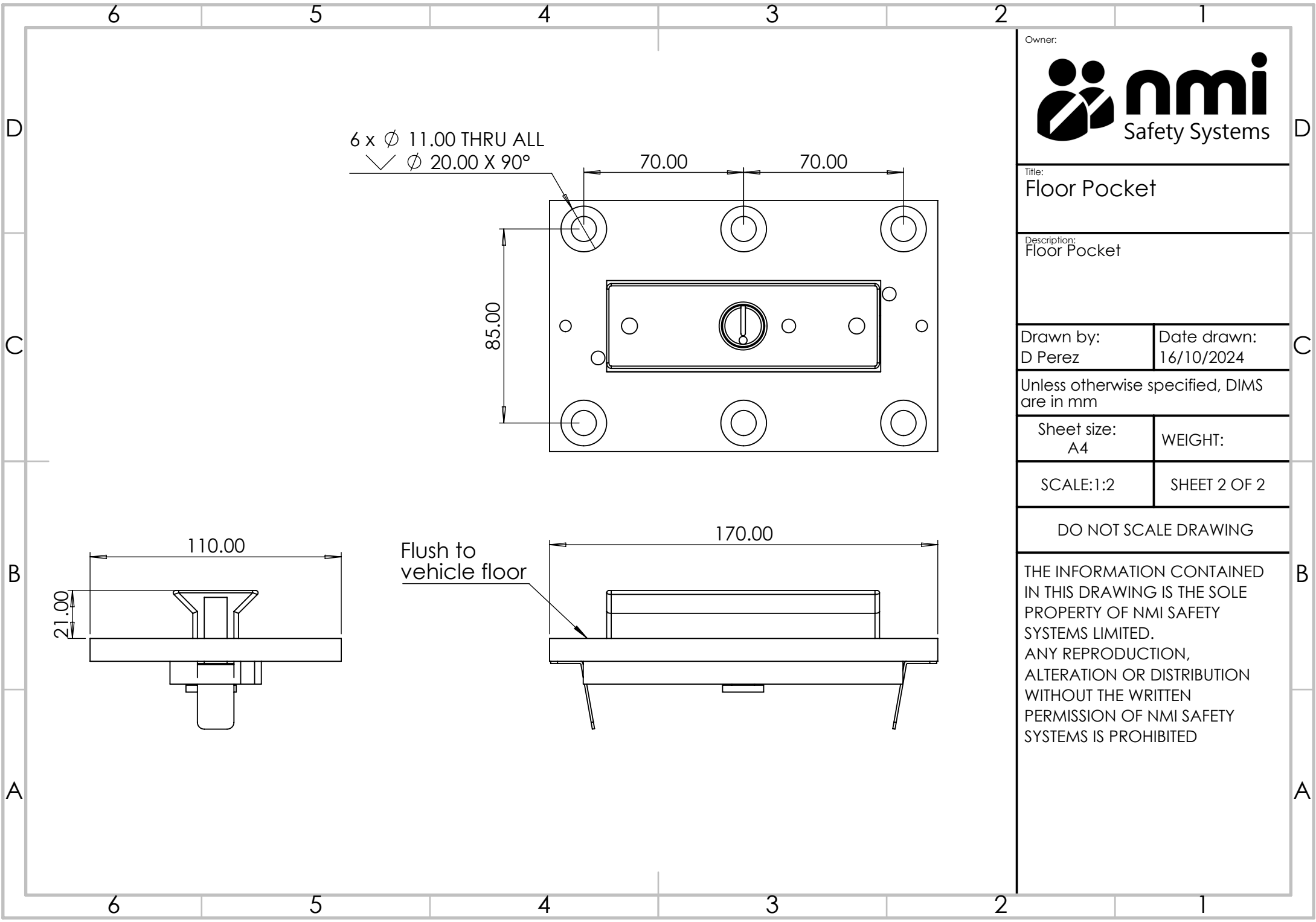
Drawn by: D Perez	Date drawn: 16/10/2024
----------------------	---------------------------

Unless otherwise specified, DIMS are in mm

Sheet size: A4	WEIGHT:
SCALE:1:2	SHEET 1 OF 2

DO NOT SCALE DRAWING

THE INFORMATION CONTAINED IN THIS DRAWING IS THE SOLE PROPERTY OF NMI SAFETY SYSTEMS LIMITED. ANY REPRODUCTION, ALTERATION OR DISTRIBUTION WITHOUT THE WRITTEN PERMISSION OF NMI SAFETY SYSTEMS IS PROHIBITED



Owner:



Title:  
**Floor Pocket**

Description:  
 Floor Pocket

Drawn by: D Perez	Date drawn: 16/10/2024
----------------------	---------------------------

Unless otherwise specified, DIMS are in mm

Sheet size: A4	WEIGHT:
-------------------	---------

SCALE:1:2	SHEET 2 OF 2
-----------	--------------

DO NOT SCALE DRAWING

THE INFORMATION CONTAINED IN THIS DRAWING IS THE SOLE PROPERTY OF NMI SAFETY SYSTEMS LIMITED. ANY REPRODUCTION, ALTERATION OR DISTRIBUTION WITHOUT THE WRITTEN PERMISSION OF NMI SAFETY SYSTEMS IS PROHIBITED