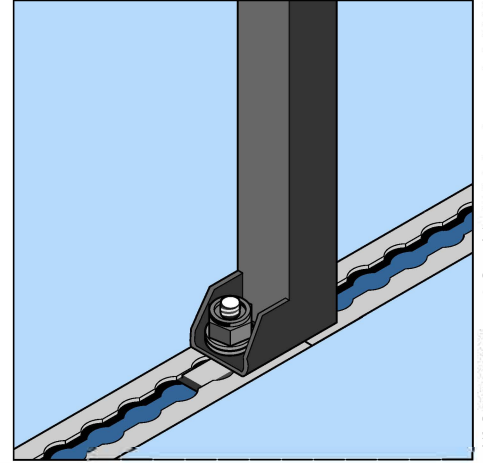
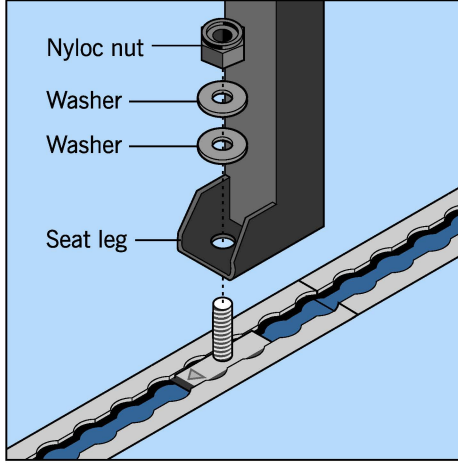
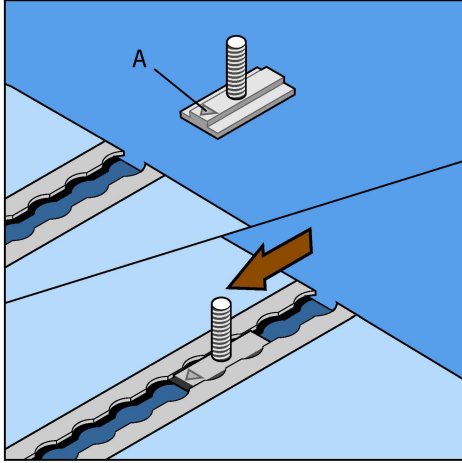


# NMI T Bolt Installation: User Instruction Leaflet

To be installed by trained personnel only

## Fixing a seat to the floor tracking using NMI T Bolts



Insert the NMI T Bolt into the end of the tracking ensuring any arrows (A) are facing the front of the seat (e.g. when sat in the seat the arrows must be pointing in the direction you are sitting) and then slide it along to the relevant position. (Tracking and T Bolts may vary from those shown in image to be compatible with various seats. The T Bolt range are shown below)

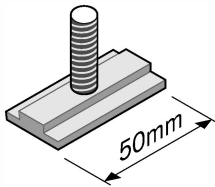
This illustration shows the order of items to secure the seat leg to the floor. First place the feet of the seat legs over the T Bolts. Then place 2 washers (2mm 10.5ID 19.75OD) on each T Bolt and then place on the Nyloc nuts (M10 thread)

Slide the seat into position and then tighten the Nyloc nuts to 30Nm with a torque wrench to secure the seat. To remove/reposition the seat remove/loosen the Nyloc nut

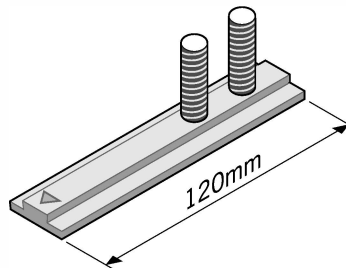
NMI T Bolt Instructions: V1.0 27/7/2010 © Copyright NMI Safety Systems Ltd. 2010

## NMI T Bolt Range

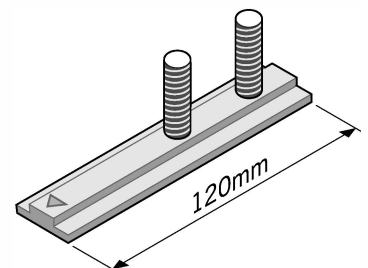
T1



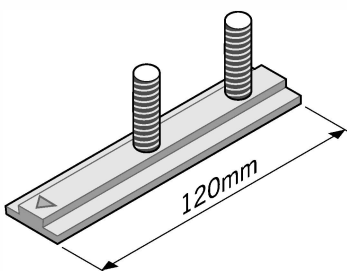
T25 (25.4mm pitch)



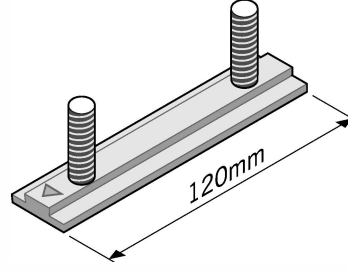
T35 (35mm pitch)



T50 (50.5mm pitch)



T76 (76mm pitch)



Note: actual products may differ from illustration