



**SITsafe** **Product Pack**  
Incorporating a Child Safety Seat



Helping more people to travel in safety and comfort

## Patented Combined Adult /Child Seat

Integrated into the back of a normal bus seat,  
it offers toddlers the ultimate safety when travelling.



[Click Here](#) to Watch Our SitSafe Product Video





No bucket seat required. Fitted with a full harness giving complete safety for the child who is facing rearwards.



Front view of SitSafe seat.  
 Supplied in any trim to match all other seats.  
 Available with 2 point or 3 point inertia belt.

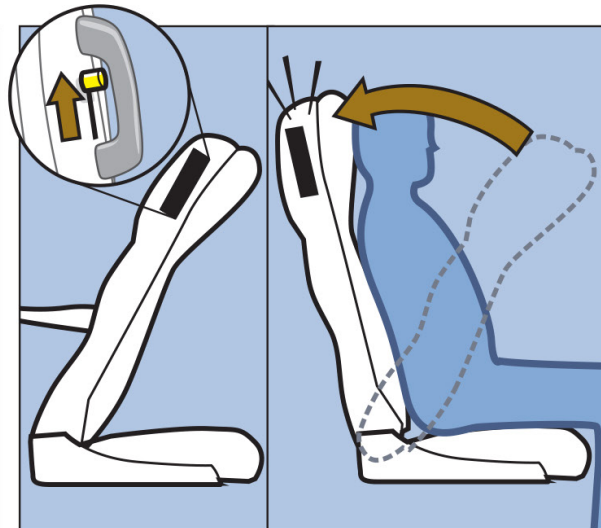
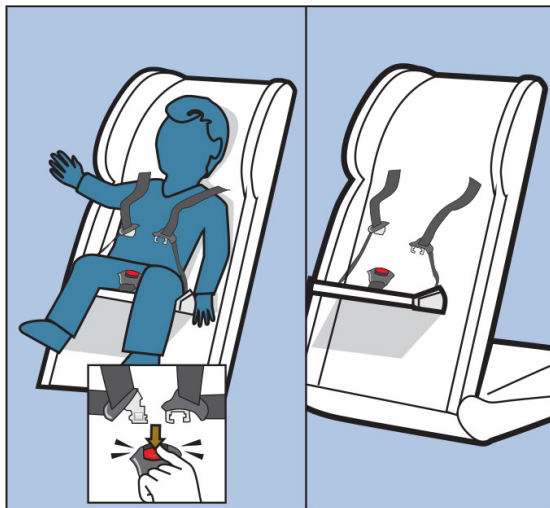
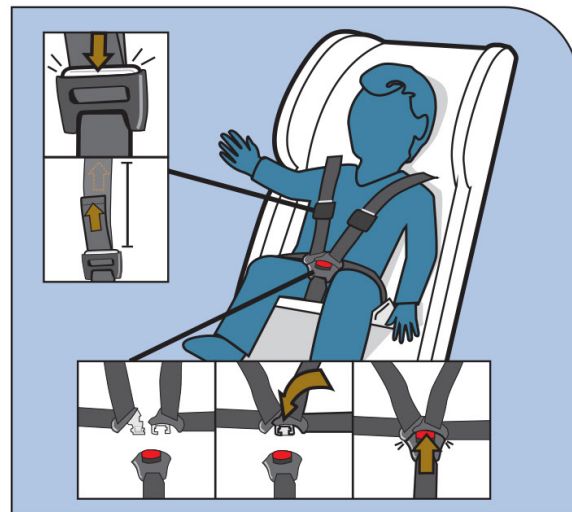
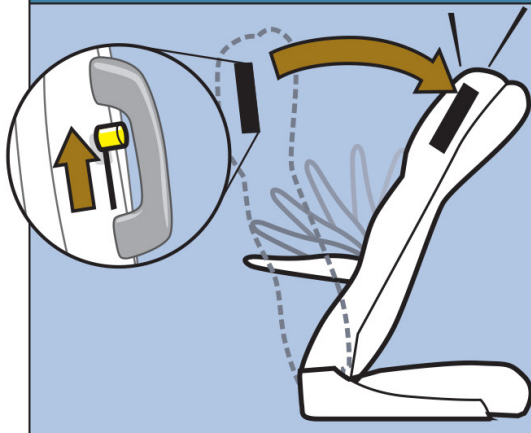


Rear view of SitSafe seat shown in the adult seat position.


# SiT Safe

Incorporating a Child Safety Seat

Make sure that the seat is upright and not in reclined position before starting



## Key Features

 1-4yrs

 MAX 18KGS

- Suitable for toddlers aged between 1-4 weighing up to 18kgs
- The child travels rearwards - the safest way to travel
- When not in use as child seat, the SitSafe functions as a forward facing passenger seat with 3 point belt
- Easily transformed into a child seat by one simple lever operation

# Example Customer Order Form

We require that this form is fully filled in, signed and emailed back as part of our ISO procedure. There are numerous trim patterns that we offer. Typically the SitSafe is located by the window.

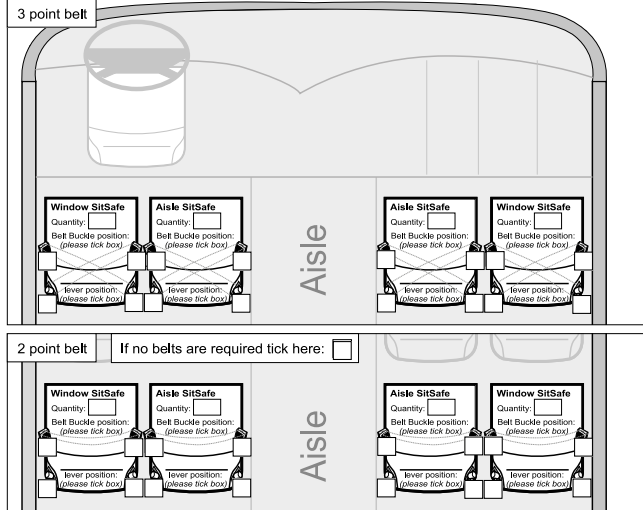


## Customer Order Form

Please fill in with your order:

Customer:  Order Number:

Quantity of SitSafes and seat belt set up:



### Additional options:

Millennium Legs & Fittings    yes/no (delete as appropriate)  
 Note: Tested leg height 285mm  
 Distance between tracks 330mm

Track type/manufacturer:

Signature: \_\_\_\_\_

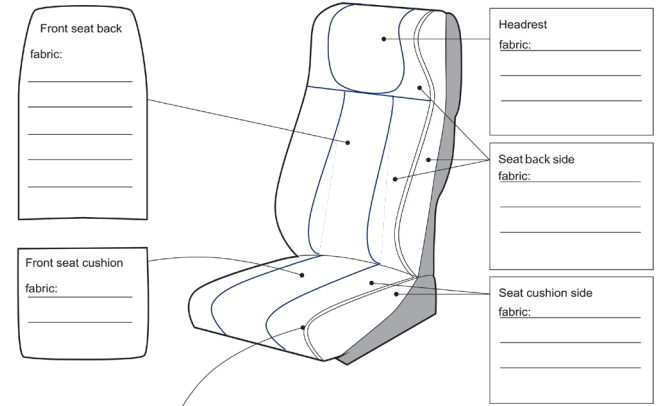
Name (Please Print): \_\_\_\_\_ Date: \_\_\_\_\_



Incorporating a Child Safety Seat  
 Upholstery: SITSAFE/PAT/4

Please supply us with as much information as possible about your seat upholstery design. Please draw on these blank templates your upholstery layout design and label which materials are used.

Adult

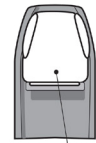


Piping: Yes  No     Colour:

Additional information:

Example trim: SITSAFE/PAT/4

Child



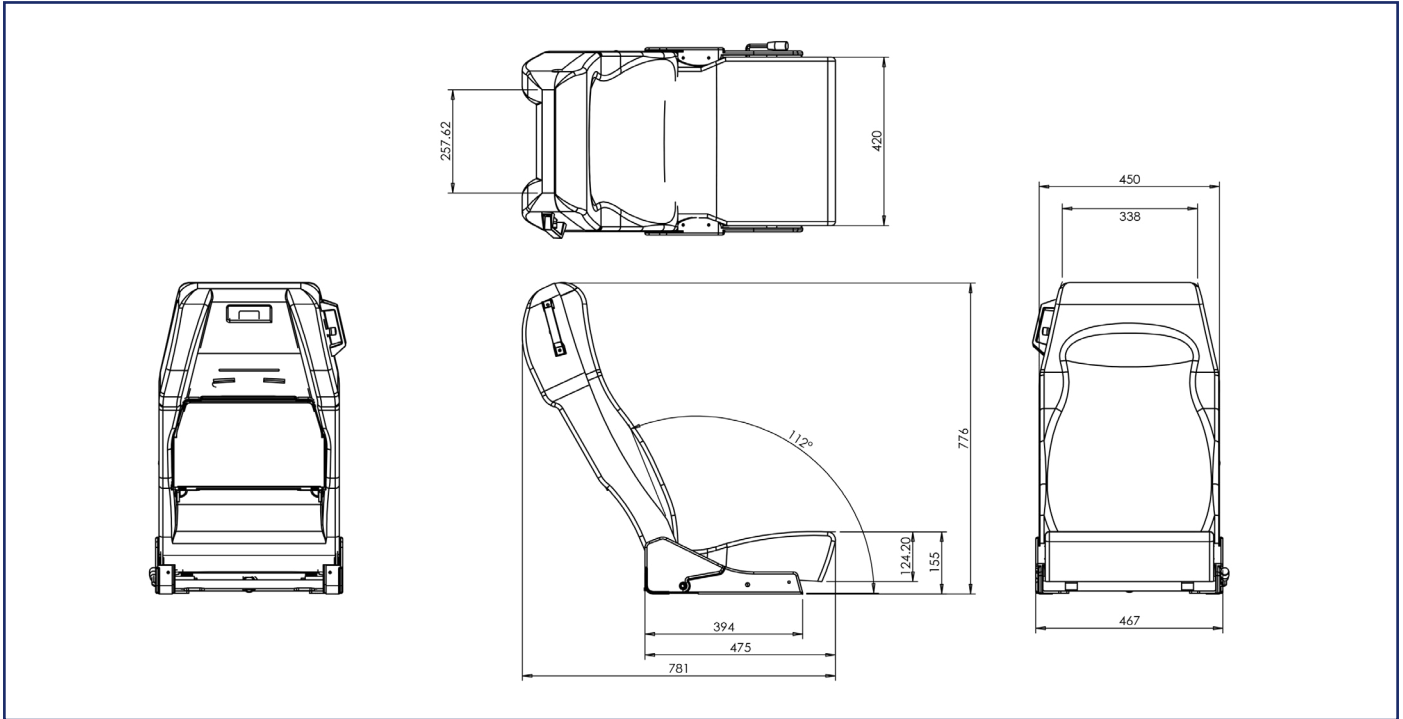
Fabric:

Signature: \_\_\_\_\_

Name (Please Print): \_\_\_\_\_ Date: \_\_\_\_\_



## Dimensional Drawings of SitSafe



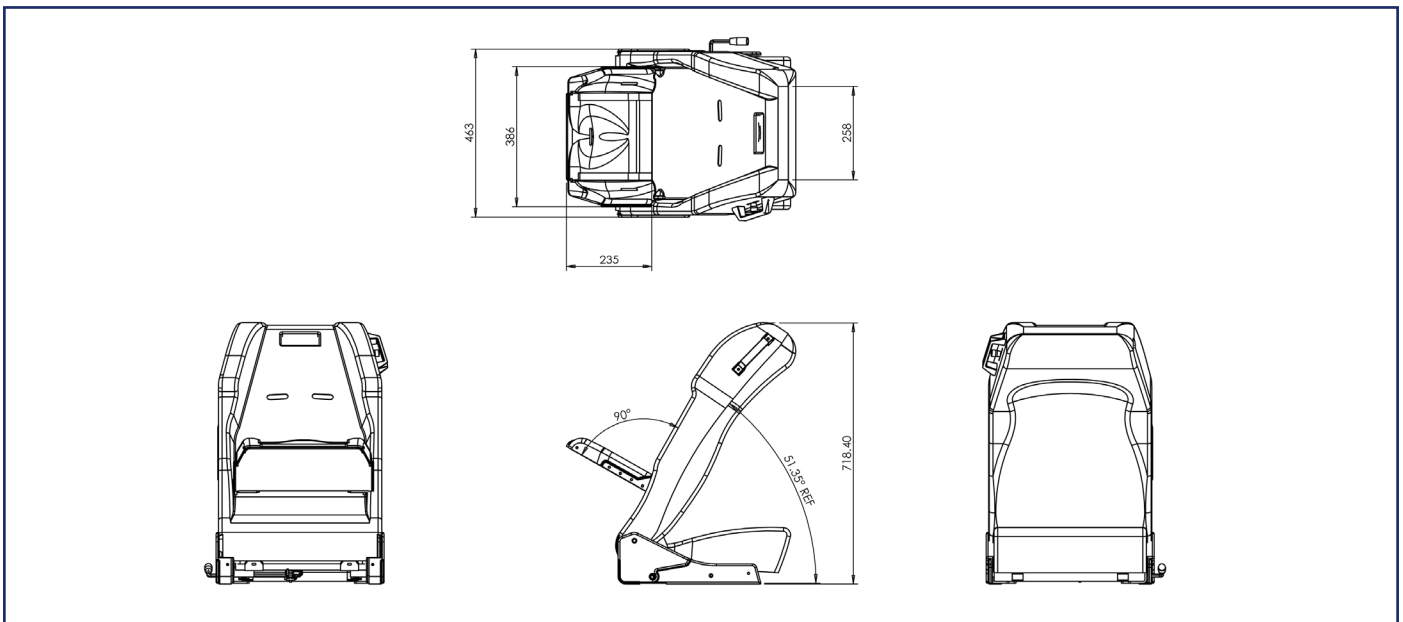
### | SitSafe Seat Assy in Adult Seat Position

NB – the upper mounting for the 3 point belt is always on the opposite side to the operating white lever

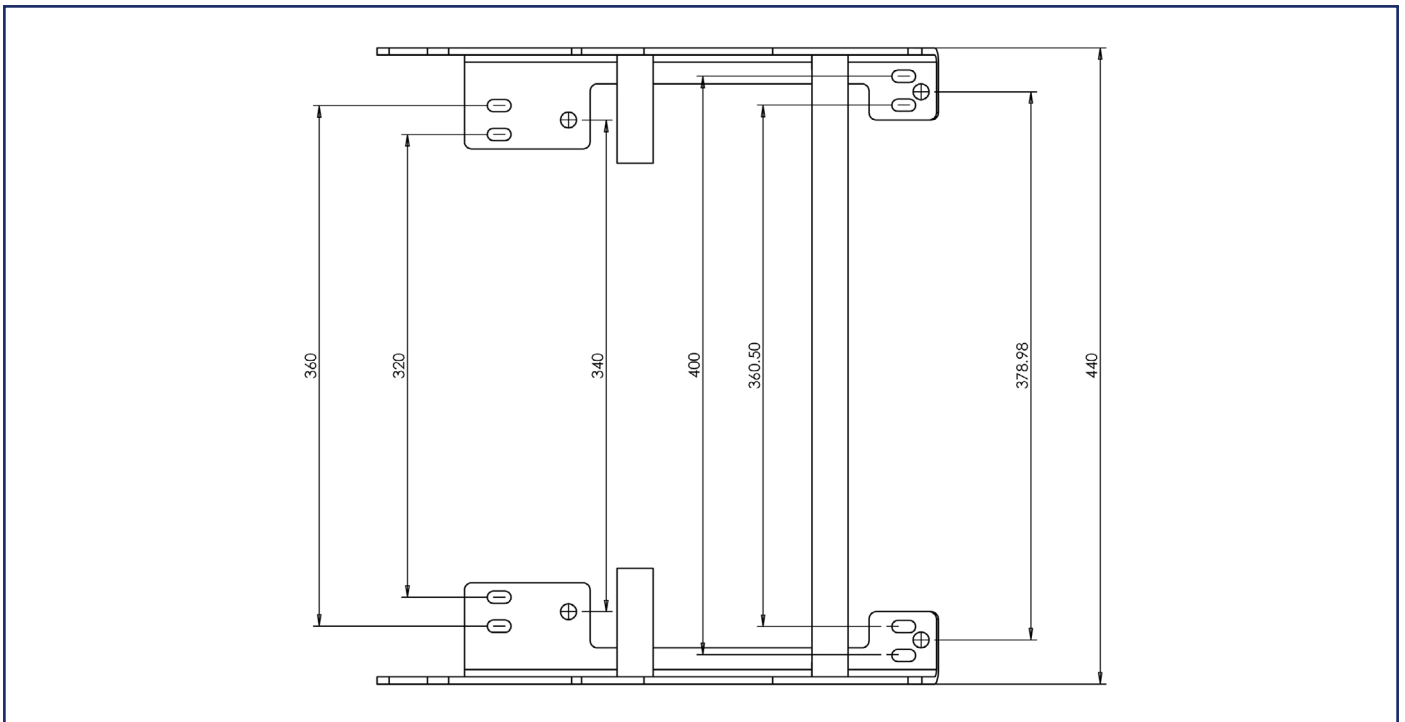
3 point belt offered in black or red colour

The SitSafe can be ordered with or without adult gas strut recline function

The recline lever is located along the bottom side of the seat, always on the opposite side to the operating lever

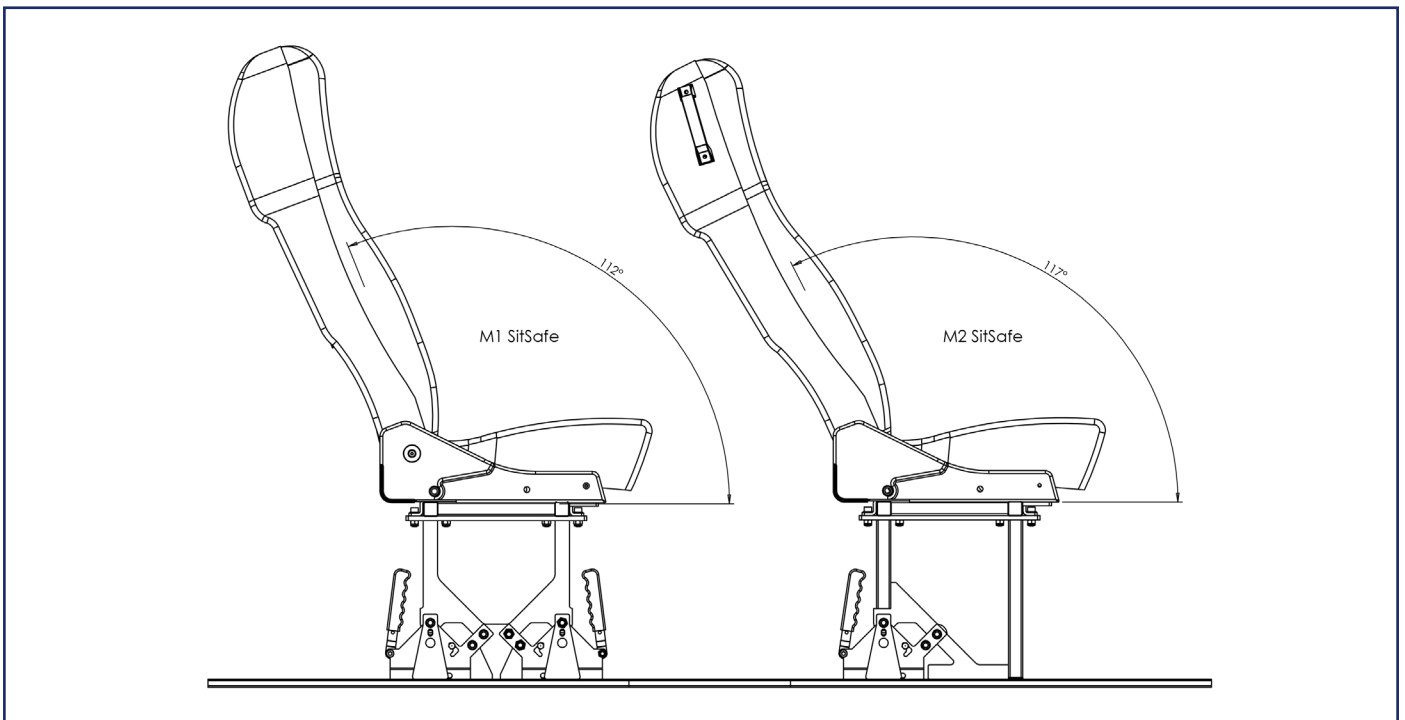


### | SitSafe Seat Assy with Child Seat Deployed



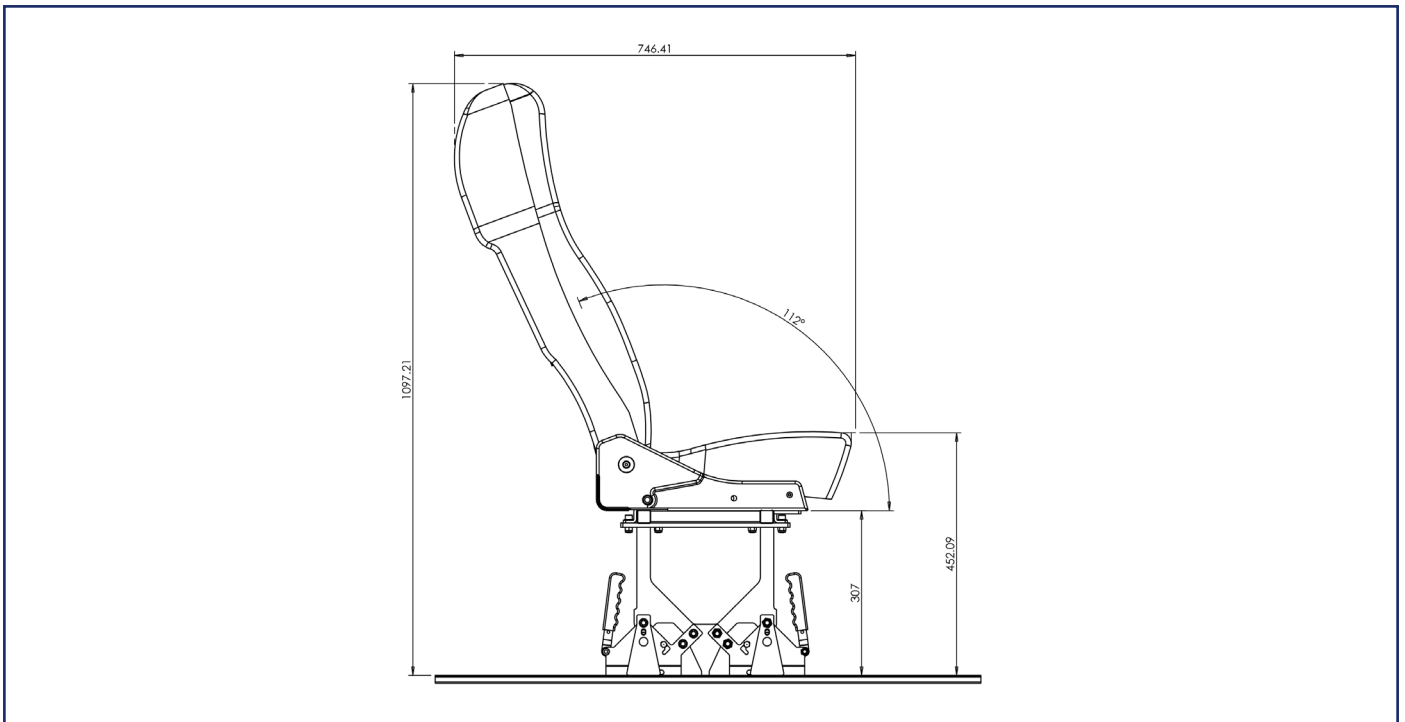
## | SitSafe Base Hole and Slot Positions

The SitSafe seat is bolted to the existing seat cross frame as produced by the bus builder. The 2 point or 3 point belt is supplied loose by NMI and is fitted to the underside of the seat cross frame by the installer.



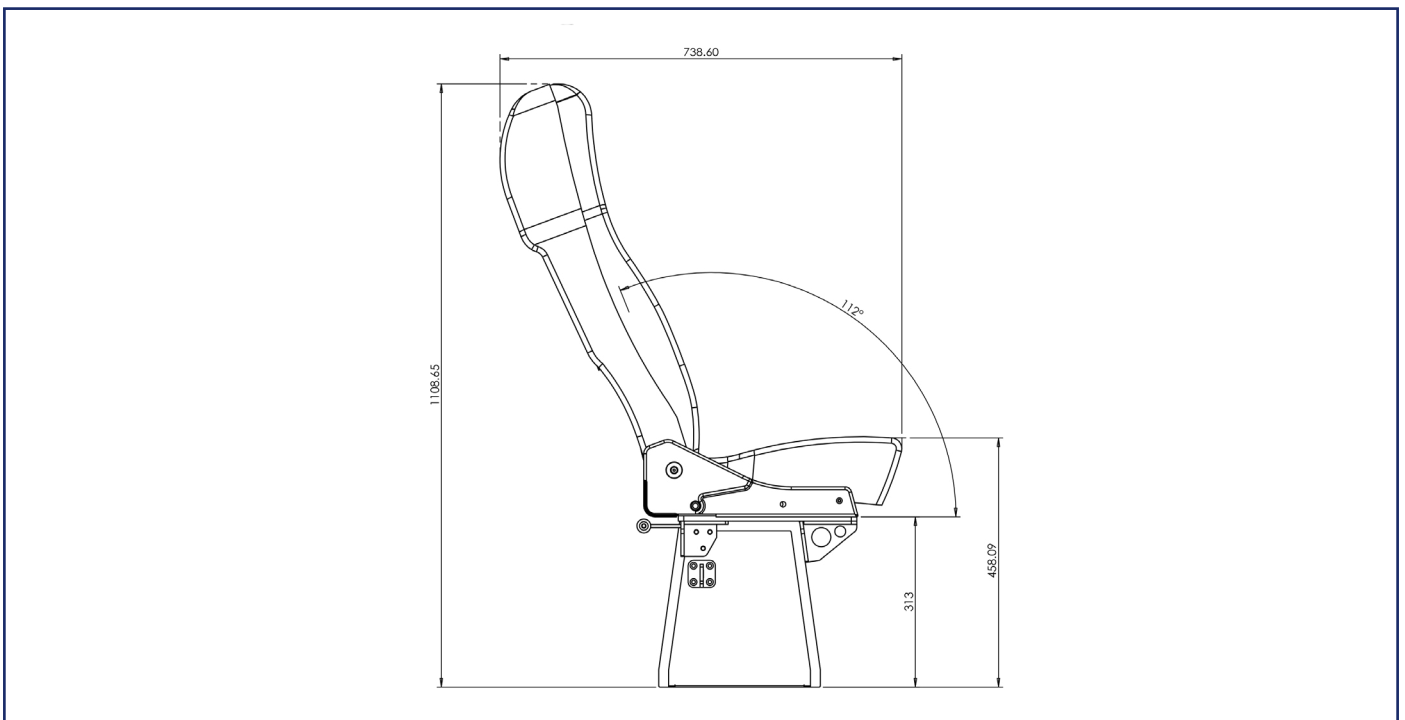
## | SitSafe for Minibus / Taxi / Ambulance Type Vehicle

SitSafe is also offered with pedestals for different applications.



## | SitSafe M1

For vehicles with 8 seats or less the M1 version SitSafe has the same safety and comfort but is deployed using a plunger on the side of the seat. Offered with NMI double millennium legs 285mm height for quick release from floor tracking or as a fixed seat as shown below.



NB- M1 variant SitSafe does not have an adult seat back recline function. Rigid back only.  
 SitSafe is tested and compliant to regulatory requirements.







**+44 (0) 208 801 5339 / 5512**  
nmisafety.com / sales@nmisafety.com



NMI Safety Systems Ltd. Registered in England and Wales No. 01315858  
16 IO Centre, Arlington Business Park, Whittle Way, Stevenage, SG1 2BD