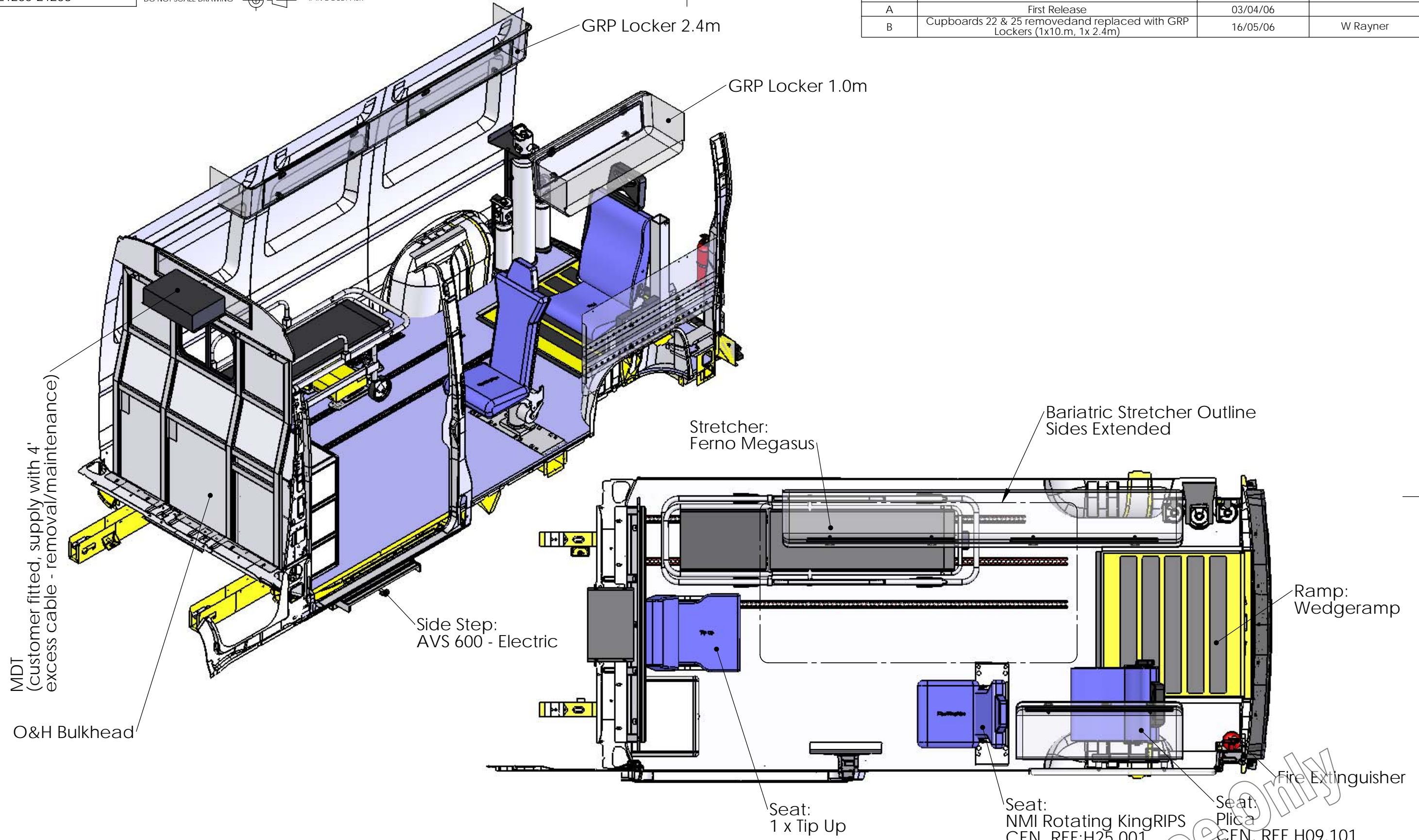


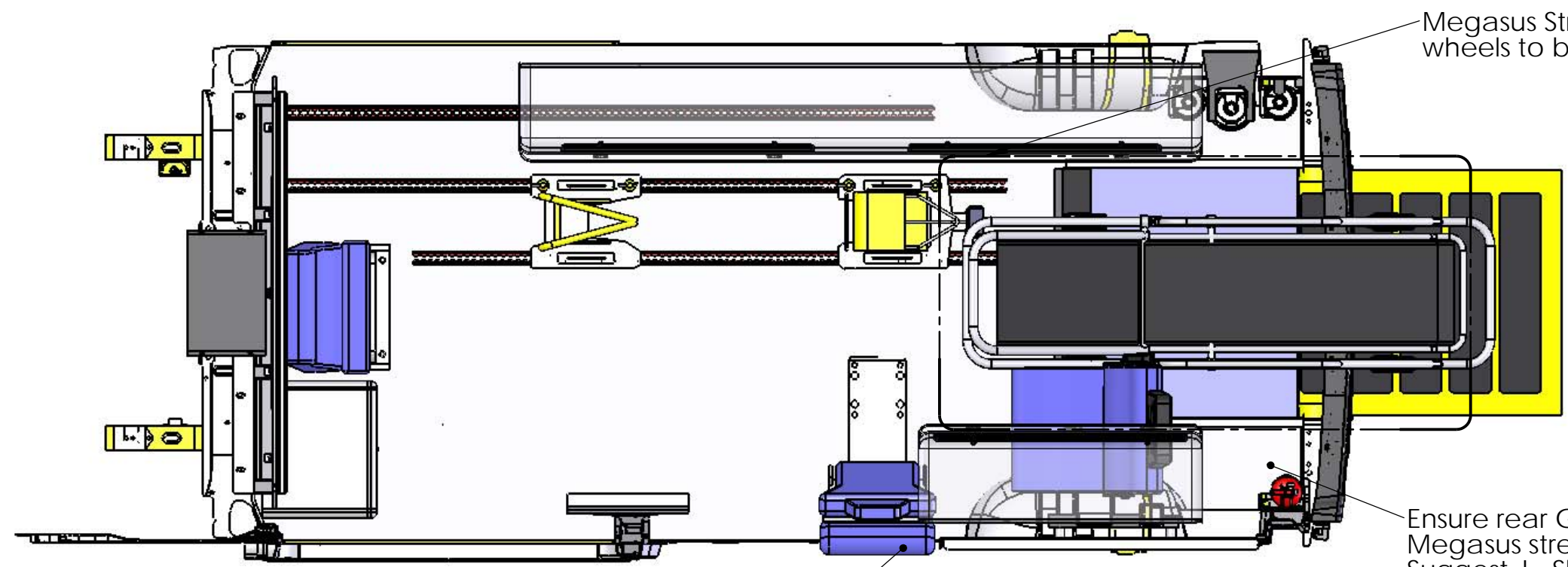
REV.	DESCRIPTION	DATE	APPROVED
A	First Release	03/04/06	
B	Cupboards 22 & 25 removed and replaced with GRP Lockers (1x1.0m, 1x 2.4m)	16/05/06	W Rayner

THIS DRAWING IS ISSUED ON CONDITION THAT NO REPRODUCTION THEREOF SHALL BE MADE WITHOUT THE WRITTEN PERMISSION OF OUGHTRED & HARRISON (FACILITIES) LTD. THE DRAWING OR ANY REPRODUCTION OF SAME SHALL NOT BE TRANSFERRED TO A THIRD PARTY UNLESS WRITTEN PERMISSION IS GIVEN BY THE ABOVE. WORLDWIDE PATENT PENDING COPYRIGHT.



NAME	SIGNATURE	DATE	TITLE
W Rayner		17/05/2006	
UNLESS OTHERWISE SPECIFIED: DIMENSIONS ARE IN MILLIMETERS SURFACE FINISH: TOLERANCES: LINEAR: ANGULAR:			DWG NO. <b>21235-21238</b>
VEHICLE	Renault	SCALE:1:22	
MODEL	Master	SHEET 1 OF 3	
WHEELBASE	LWB	A3	
CUSTOMER			Mersey AS
VEHICLE			Mersey AS
MODEL			Mersey AS
WHEELBASE			Mersey AS

OUGHTRED & HARRISON (FACILITIES) LTD  
LARSEN ROAD, GOOLE, EAST YORKSHIRE DN14 6XG  
Tel: 01405 769867 Fax: 01405 768856  
www.oh-facilities.co.uk

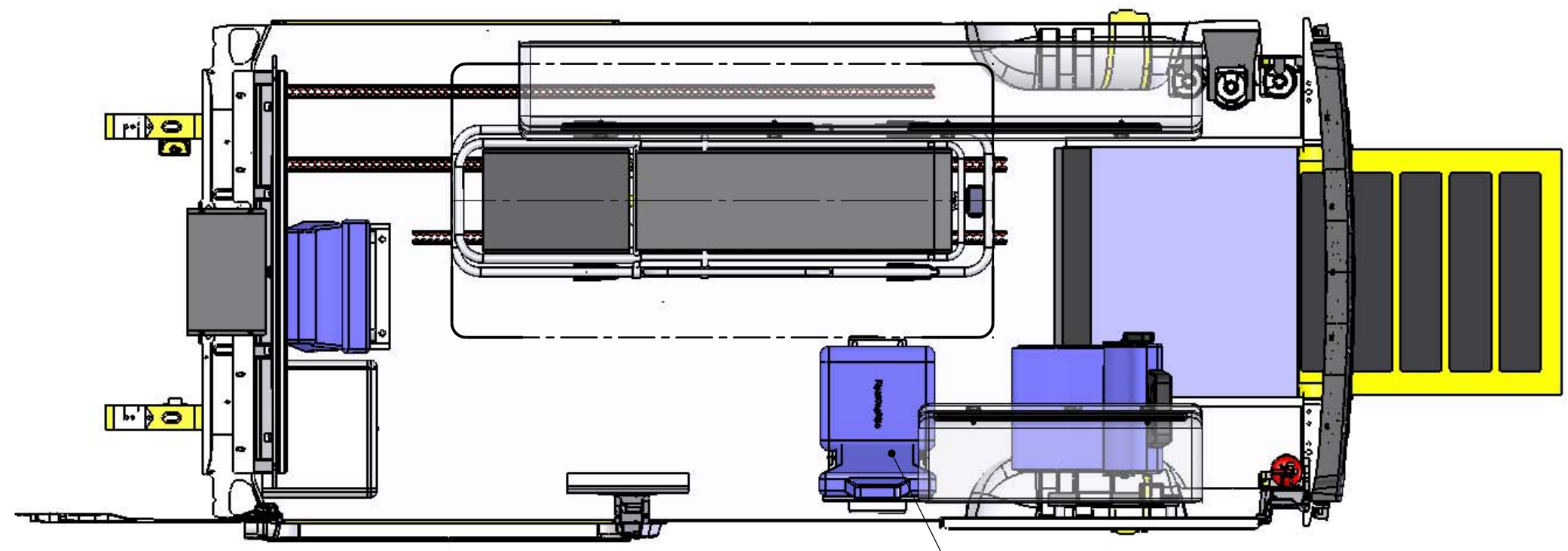


Megasus Stretcher will require front wheels to be manouvered past pedal lock

**LOADING MEGASUS STRETCHER**

Ensure rear Grab Rails are fitted to allow Megasus stretcher to pass  
Suggest J - Shape Poles

Rotating KingRIPS and Plica need storing to install Megasus Stretcher



**MEGASUS STRETCHER ON LOCKS**

Rotating KingRIPS will only be useable if Megasus Stretcher is elevated to clear occupants legs

*Reference Only*

BOUGHTRED & HARRISON (FACILITIES) LTD  
LARSEN ROAD, GOOLE, EAST YORKSHIRE DN14 6XG  
Tel: 01405 769867 Fax: 01405 768856  
www.oh-facilities.co.uk

TITLE:	Mersey AS	
DWG NO.	21235-21238	A3
SCALE:1:20	SHEET 3 OF 3	REV B