



Quick Instruction Sheets

RIPS DRUM PEDAL MECHANISM:

TO LOCK

Lift the seat back webbing off the Velcro to allow the yellow bar to drop down onto the outer drum ratchets.

Using both hands grip the yellow part in the middle of the pedal and push it forwards and down so it engages the middle drum ratchets.

Now tread on the pedal to winch in the webbing belts.

TO UNLOCK

Tread on the foot pedal and at the same time pull the seat back webbing up so as to lift the yellow bar off the outer drum ratchets. Then re - stick the webbing to the Velcro to keep the bar up.

Using both hands grip the yellow part in the middle of the pedal and pull back and up so that it disengages from the middle drum ratchets and releases the webbing belts.

Instruction Sheets

RIPS/R/D: Removable Rip Seat

Before Locking in Tracking

1. Before locking the seat into tracking, tilt the seat backward and wheel the seat into correct position.
2. Unlock Millennium Fittings by moving the red safety lock nut along the slot from position A into position B. Whilst holding the nut in position B pull back the red handle (see Fig 1). The Millennium Fitting is now in the unlocked position ready for fitting.
3. Lift and turn the grey plunger fittings which are at the rear of the base unit in front of the wheels.

To Lock in Tracking

1. Position front stud into tracking in the desired position so that the base plate sits flat on the track.
2. Turn the plungers and move the unit slightly backwards and forwards so that the plungers drop into the holes in the track.
3. Finally lock the RIPS seat fitting into the track by pushing the red handle on the Millennium Fitting forward to its furthest point (see Fig 2). The red safety lock nut will automatically drop into position A in the slot. The RIPS unit is now fixed and ready for use.

To Unlock in Tracking

1. To remove the unit from tracking reverse the operation from 3-1 making sure that the fixed front stud clears the lips of the track.

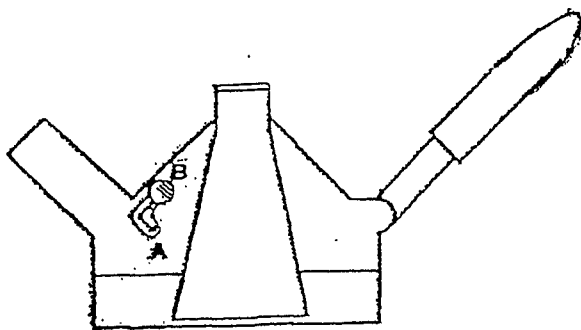


Fig 1 Unlocked

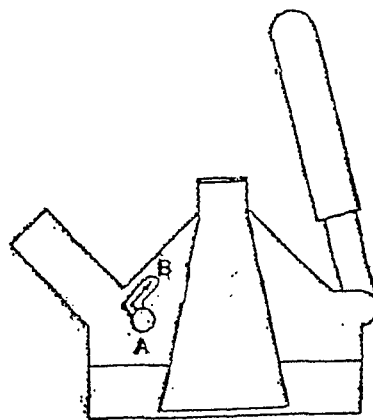


Fig 2 Locked



Instruction Sheets

To Unlock the Wheelchair

Step 1 Remove the passenger restraint seat belts so the occupant is free.

Step 2 Remove the seat cushion from its stored position at the back of the seat back to gain access to the foot pedal. To do this lift the yellow cushion latch off the frame pin.

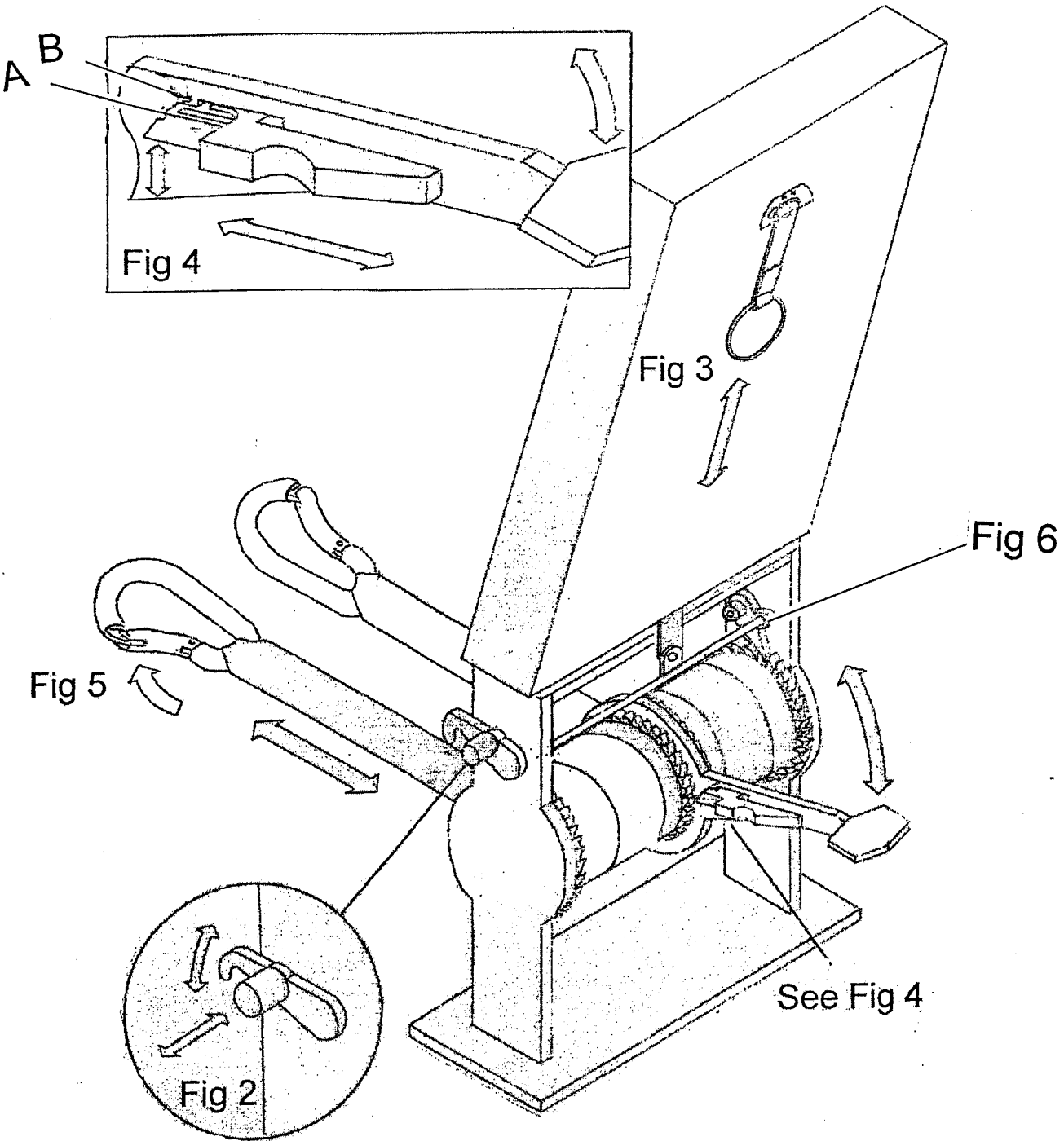
Step 3 Depress the foot pedal below its locked position and at the same time pull the red strap protruding from the rear of the back support to disengage the webbing drum ratchet mechanism. (see Fig 3).

Step 4 Disengage the pedal ratchet (see Fig 4). To do this grasp the yellow dog's contoured sides with the thumb and forefinger. Slide the yellow dog backwards and then using the other hand push the dog upwards thus engaging corner A behind the 'Lip' labeled B. The pedal ratchet is now disengaged.

Step 5 Push the wheelchair away from the back support and unlock the karabiners (see Fig 5). The wheelchair is now free.

The Wheelchair & Passenger are now disengaged from the RIPS.

Drum Pedal

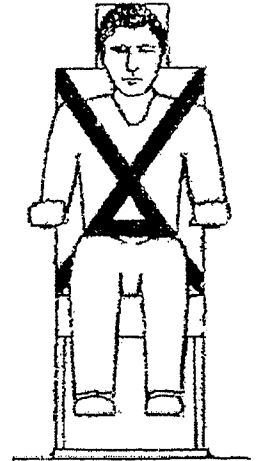
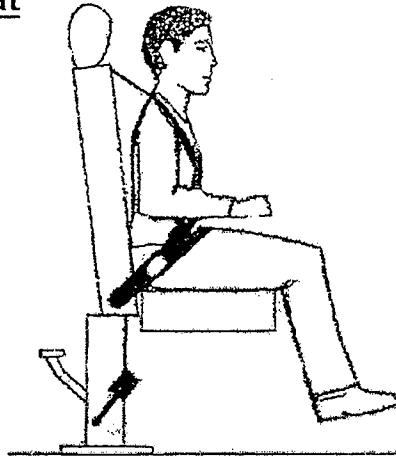


Instruction Sheets

Dual Position Stalk Fixings

When in use as a passenger seat

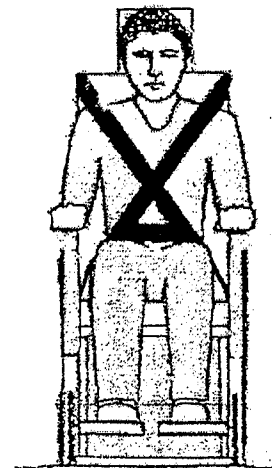
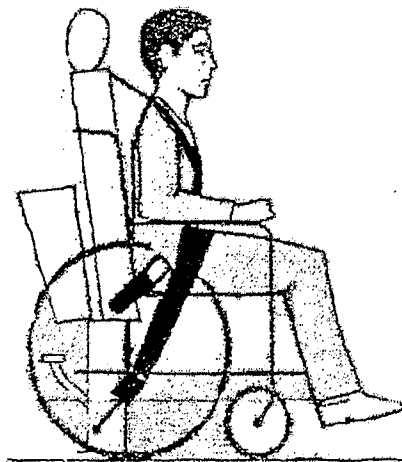
In order to provide a more secure wheelchair passenger restraint system, additional stalk fittings have been fitted to the RIPS base. When the RIPS is being used as a seat, the passenger should use the upper stalks positioned at the bottom of the back support.



See diagram

When in Use as a Wheelchair Docking Station

When the RIPS is being used as a wheelchair docking station, the lower stalks found on the base should be used as they offer more secure fastening of the wheelchair passenger.



See diagram

Instruction Sheets

Adapter Beam

All R1 P's now come equipped with an Adaptor Beam 'R'. Before ratcheting back the wheelchair locate the adaptor beam into the location points that the seat cushion frame originally located in. Once fitted re-engage the yellow retaining hooks 'A'.

Note: Ensure that the plunger on the hook engages in the hole on the side of the plate.

Once the adaptor beam has been fitted the wheelchair can now be ratcheted back. Before finally tightening the wheelchair ensure that the wheelchair frame is located against the two adjustable bars 'S'. Once located the wheelchair can be fully ratcheted back and secured.

