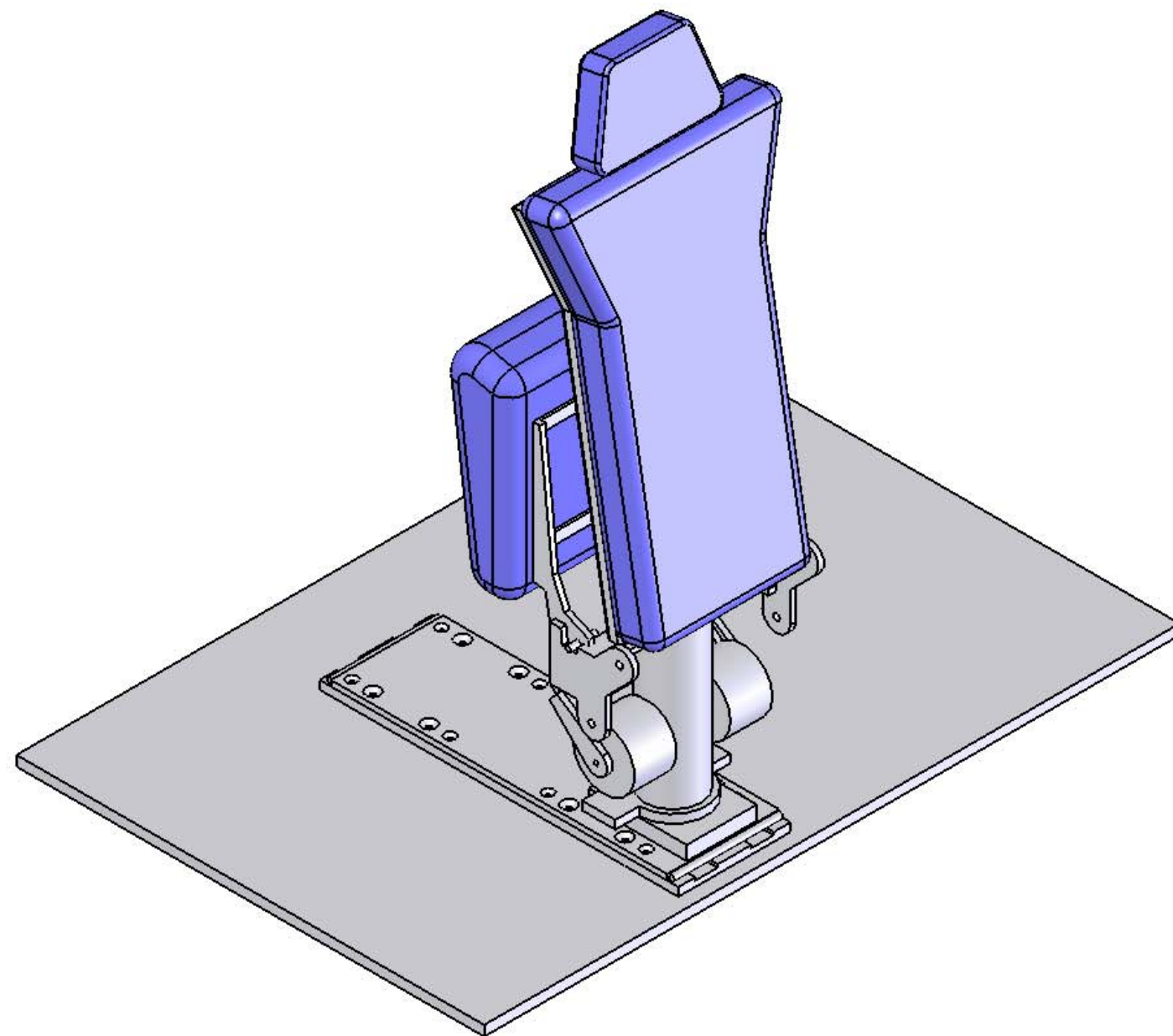
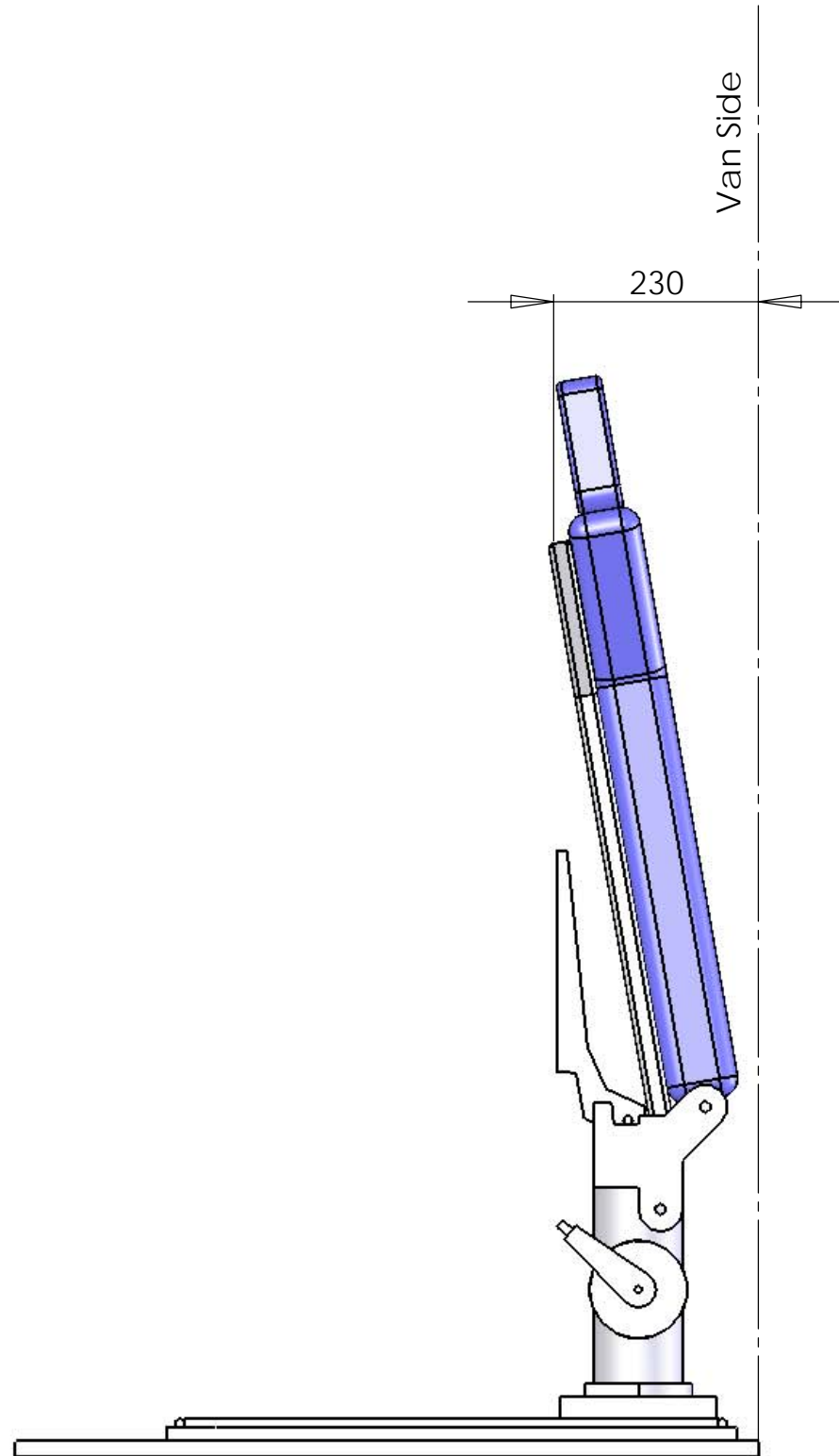


THIS DRAWING IS ISSUED ON CONDITION THAT NO REPRODUCTION THEREOF SHALL BE MADE WITHOUT THE WRITTEN PERMISSION OF OUGHTRED & HARRISON (FACILITIES) LTD. THE DRAWING OR ANY REPRODUCTION OF SAME SHALL NOT BE TRANSFERRED TO A THIRD PARTY UNLESS WRITTEN PERMISSION IS GIVEN BY THE ABOVE. WORLDWIDE PATENT PENDING COPYRIGHT.



- NOTES:  
1. DEBUR AND BREAK SHARP EDGES

NAME	SIGNATURE	DATE
P.Malin		31/10/2006
CHK'D		
APPV'D		
MFG		
QA		
CUSTOMER	A.N.OTHER	
VEHICLE	***	
MODEL	***	
WHEELBASE	***	

Reference Only

OUGHTRED & HARRISON (FACILITIES) LTD  
LARSEN ROAD, GOOLE, EAST YORKSHIRE DN14 6XG  
Tel: 01405 769867 Fax: 01405 768856  
www.oh-facilities.co.uk

TITLE:	King Rip Seat	
DWG NO.	Minimum Dimensions	A3
SCALE:1:8	SHEET 1 OF 1	REV   A