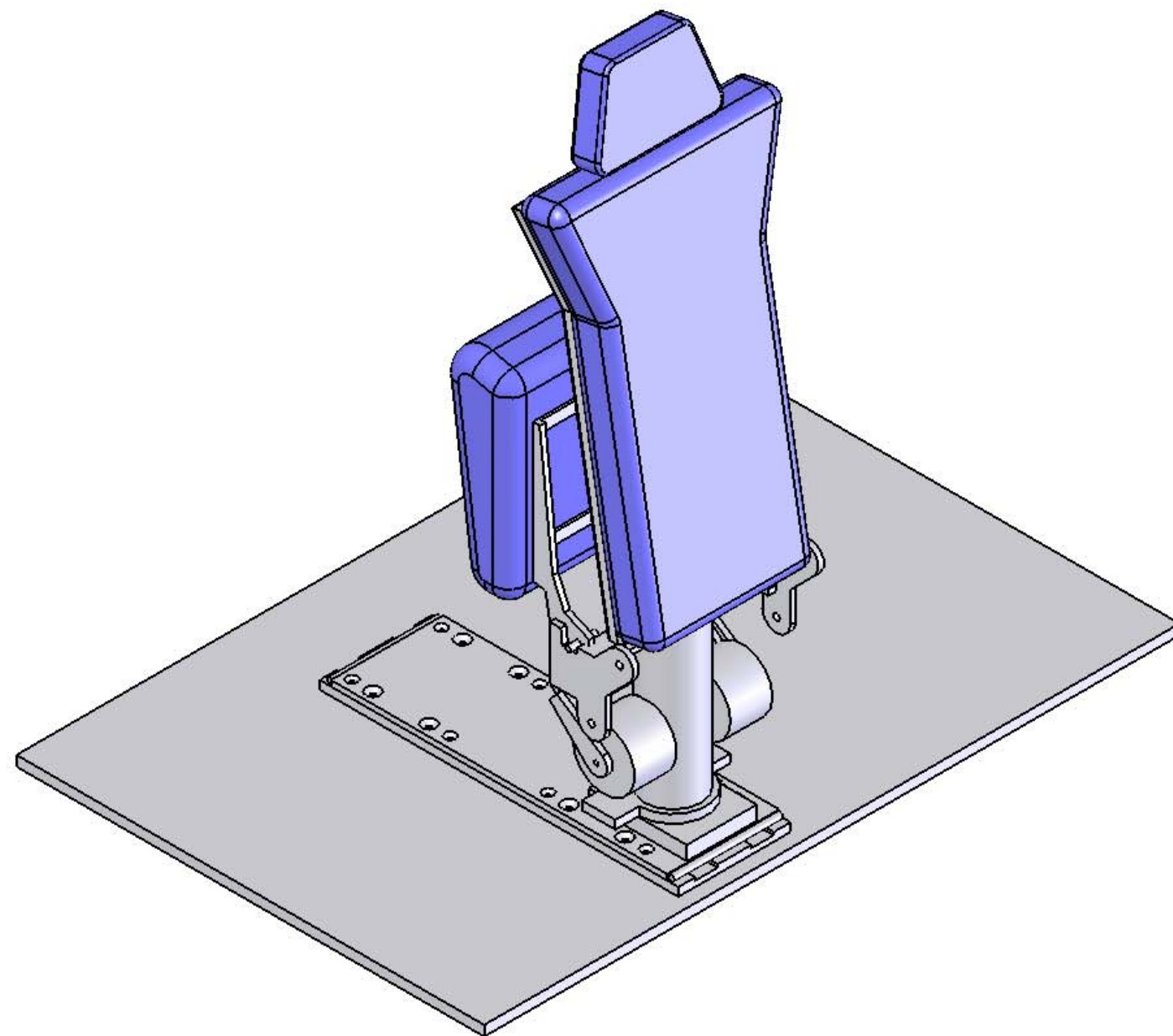
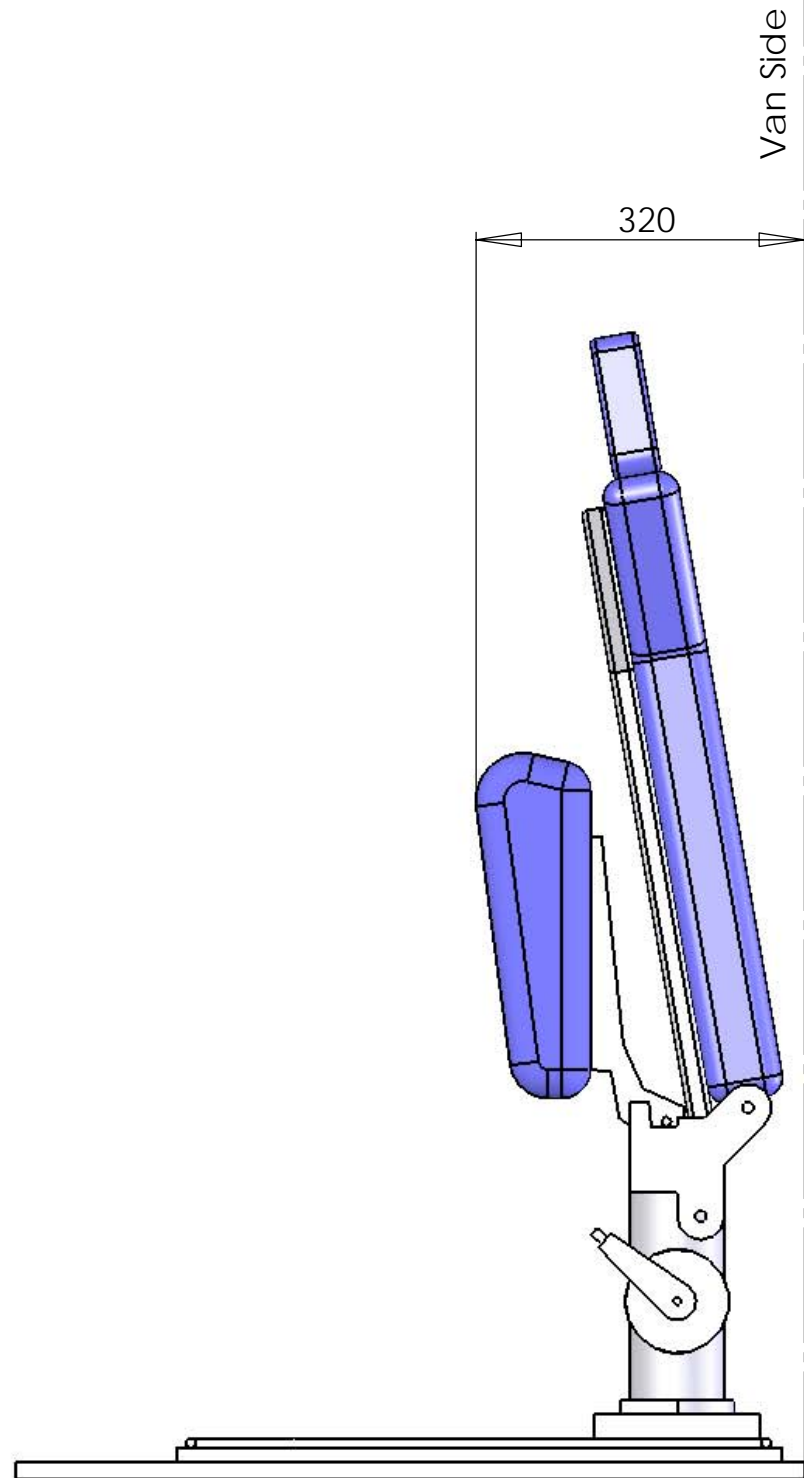


THIS DRAWING IS ISSUED ON CONDITION THAT NO REPRODUCTION THEREOF SHALL BE MADE WITHOUT THE WRITTEN PERMISSION OF OUGHTRED & HARRISON (FACILITIES) LTD. THE DRAWING OR ANY REPRODUCTION OF SAME SHALL NOT BE TRANSFERRED TO A THIRD PARTY UNLESS WRITTEN PERMISSION IS GIVEN BY THE ABOVE. WORLDWIDE PATENT PENDING COPYRIGHT.



NOTES:
1. DEBUR AND BREAK SHARP EDGES

	NAME	SIGNATURE	DATE
DRAWN	P.Malin		22/09/2006
CHK'D			
APPV'D			
MFG			
QA			
CUSTOMER	A.N.OTHER		
VEHICLE	***	UNLESS OTHERWISE SPECIFIED: DIMENSIONS ARE IN MILLIMETERS SURFACE FINISH: TOLERANCES: LINEAR: ANGULAR:	
MODEL	***		
WHEELBASE	***		

OUGHTRED & HARRISON (FACILITIES) LTD
LARSEN ROAD, GOOLE, EAST YORKSHIRE DN14 6XG
Tel: 01405 769867 Fax: 01405 768856
www.oh-facilities.co.uk

TITLE:	King Rip Seat	
DWG NO.	Minimum Dimensions	A3
SCALE:1:8	SHEET 1 OF 1	REV A