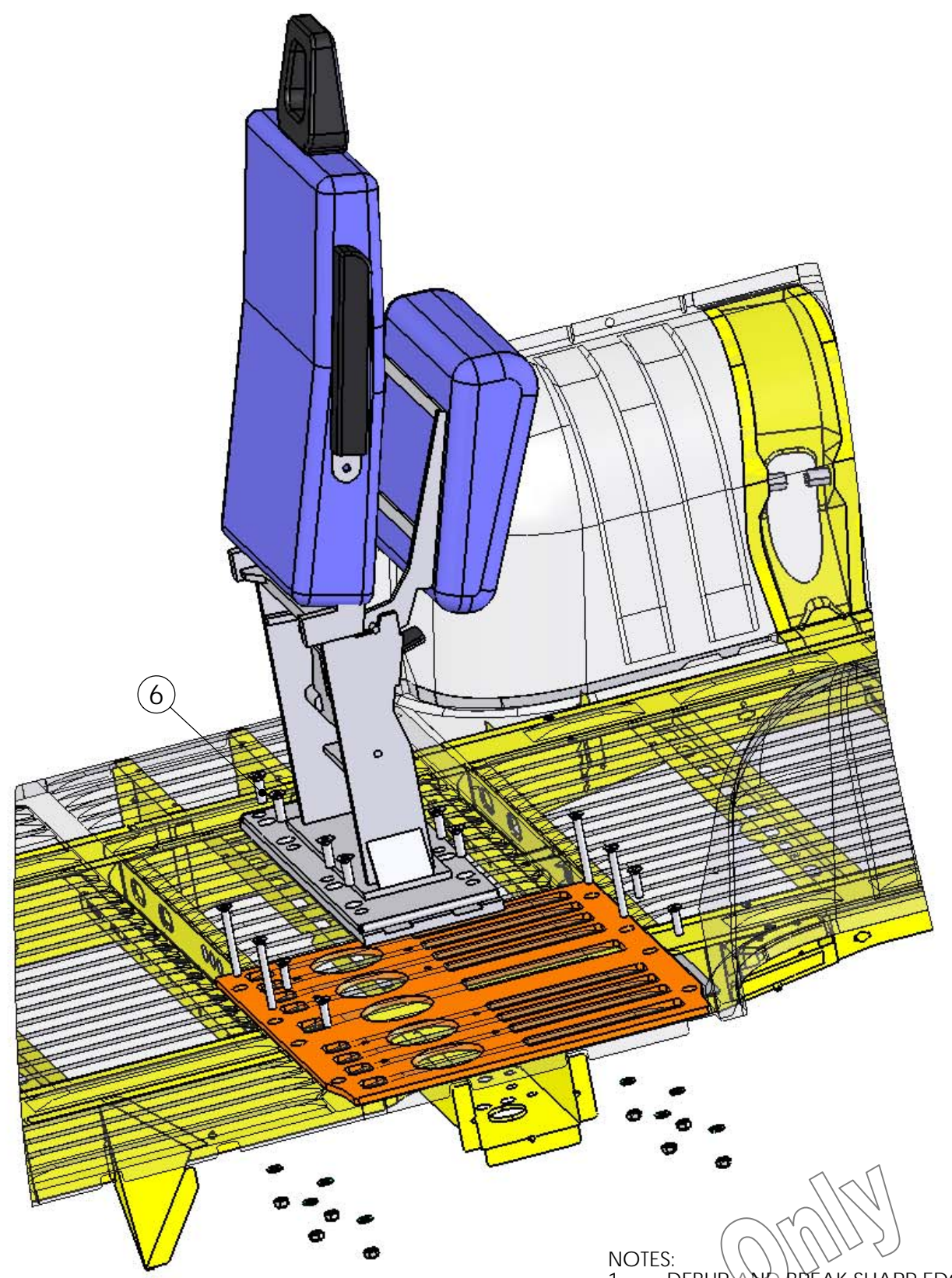
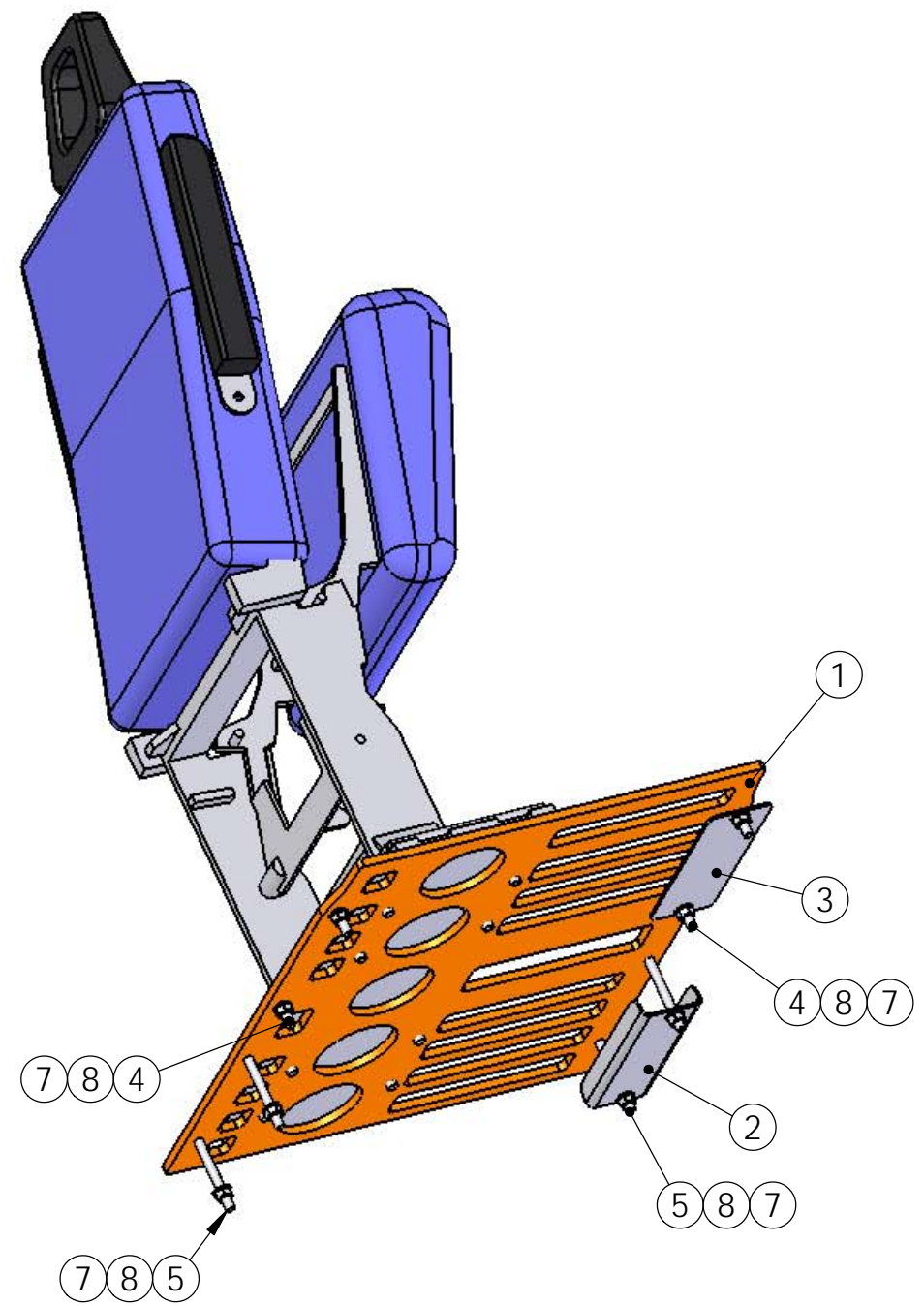


THIS DRAWING IS ISSUED ON CONDITION THAT NO REPRODUCTION THEREOF SHALL BE MADE WITHOUT THE WRITTEN PERMISSION OF OUGHTRED & HARRISON (FACILITIES) LTD. THE DRAWING OR ANY REPRODUCTION OF SAME SHALL NOT BE TRANSFERRED TO A THIRD PARTY UNLESS WRITTEN PERMISSION IS GIVEN BY THE ABOVE. WORLDWIDE PATENT PENDING COPYRIGHT.



NOTES:  
1. DEBUR AND BREAK SHARP EDGES

ITEM NO.	PART NUMBER	DESCRIPTION	MATERIAL	Modified KRIPS Plate/QTY.
1	25.011	King RIPS Base	Mild Steel	1
2	25.004	Chassis Bracket	Mild Steel	1
3	25.007	Outer Floor Plate	Mild Steel	1
4	-	M10 x 40 Csk Socket Hd Bolt		4
5	-	M10 x 100 Csk Socket Hd Bolt		4
6	-	M12 x 40 Csk Socket Hd Bolt		8
7	-	Washer, Flat, M10, Form A		8
8	-	Nut, M10, Nyloc, Hexagon		8

	NAME	SIGNATURE	DATE
DRAWN	W Rayner		20/04/2006
CHK'D			
APP'VD			
MFG			
QA			
CUSTOMER	A.N.OTHER		
VEHICLE	***		
MODEL	***		
WHEELBASE	***		

**OUGHTRED & HARRISON (FACILITIES) LTD**  
 LARSEN ROAD, GOOLE, EAST YORKSHIRE DN14 6XG  
 Tel: 01405 769867 Fax: 01405 768856  
 www.oh-facilities.co.uk

TITLE:  
**King RIPS, LHS, Modified Plate**

DWG NO.	25.111	A3
SCALE:1:8		REV. A
SHEET 1 OF 1		

Reference Only